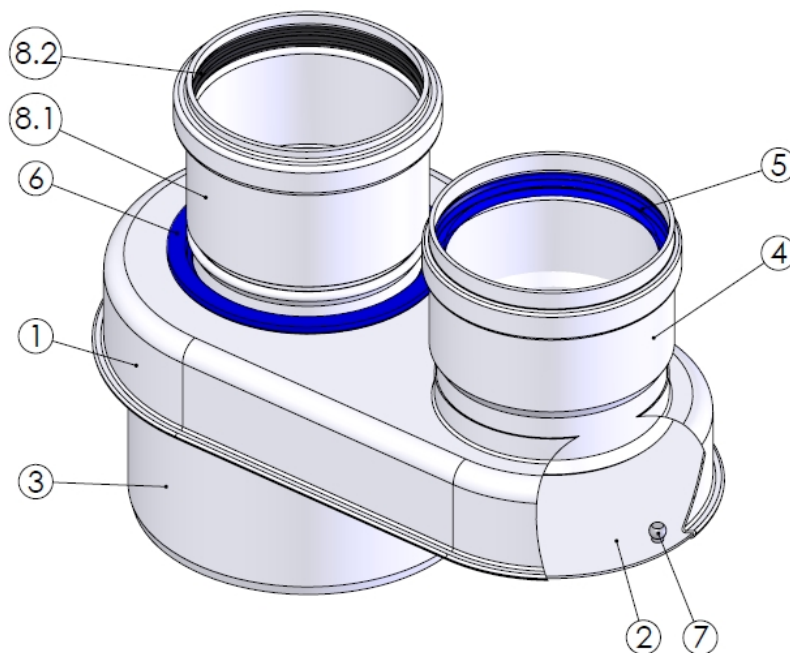


SECTION A-A



8.2	1	Seal ø80	EPDM
8.1	1	Flue Pipe ø80 L175	PPs
8	1	Flue Pipe ø80 L175 + Seal	-
7	1	Rivet	EN-AW-1050A
6	1	Distance ring 80	Silicone
5	1	Seal ø80	Silicone
4	1	Air inlet ø80	EN-AC-46000
3	1	Air pipe ø125	EN-AW-1050A
2	1	Plate	DX52D+Z275
1	1	Parallel adapter	DX52D+Z275
Pos.	QTY.	Description	Material

Hekon art. : CD80/125-ONT