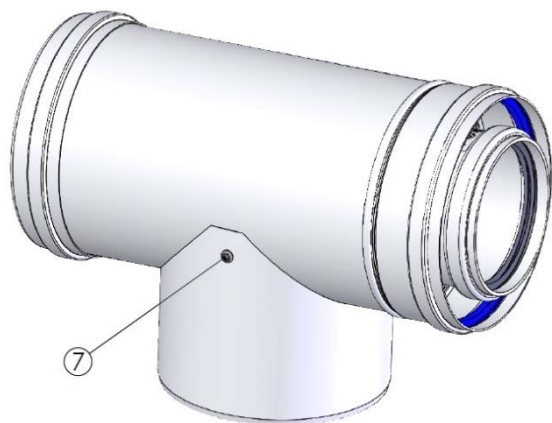
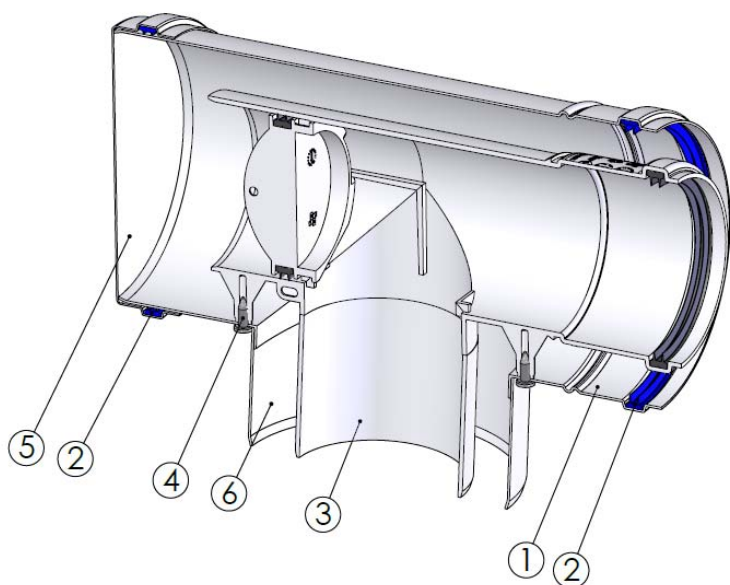
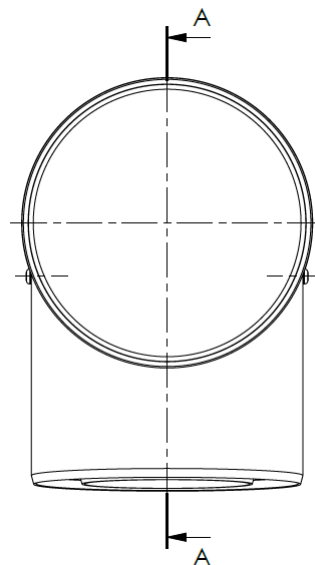


SECTION A-A



7	2	Self-tapping torx screw 3.9 x 13	Galvanized
6	1	Air inlet stuts ø125 with search edge	EN-AW-1050A
5	1	Cap	EN-AW-1050A
4	2	Screw 4.2 x 13	Galvanized
3	1	Inspection T-piece ø80 PP	-
2	2	Seal VMQ Air ø125	VMQ Air
1	1	Air inlet T-piece ø125 Al Seal	EN-AW-1050A
Pos.	QTY.	Description	Material

Unit of measure: mm

Hekon art. : CD80/125-T90