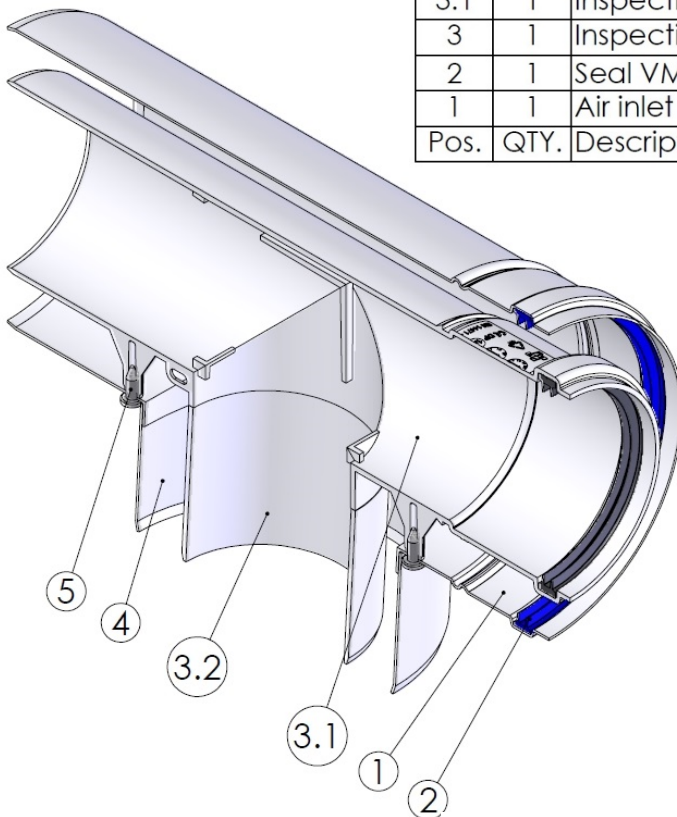


SECTION A-A

6	2	Self-tapping torx screw 3.9 x 13	Galvanized
5	2	Screw 4.2 x 13	Galvanized
4	1	Air inlet studs ø125	EN-AW-1050A
3.2	1	Pipe piece ø80	CoxPP-BBA
3.1	1	Inspection pipe ø80 without cap	CoxPP - EPDM
3	1	Inspection T-piece ø80 PP without cap	-
2	1	Seal VMQ Air ø125	VMQ Air
1	1	Air inlet T-piece ø125 Al	EN-AW-1050A
Pos.	QTY.	Description	Material



Unit of measure: mm

Hekon art. : CD80/125-T90C