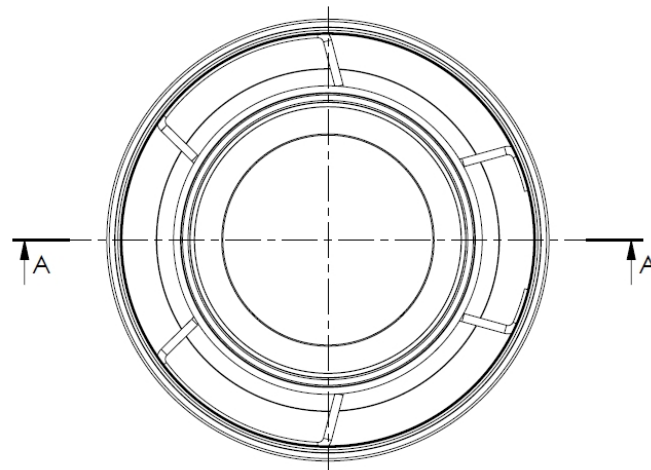


SECTION A-A Unit of measure: mm



5	1	Spring	RVS 301
4	1	Seal $\varnothing 150$	VMQ
3	1	Expansion $\varnothing 125/150$	EN-AW-1050A
2	1	Seal $\varnothing 100$	EPDM
1	1	Expansion piece $\varnothing 80-100$	CoxPP
Pos.	QTY.	Description	Material

Hekon art. : CD80/125-VG2