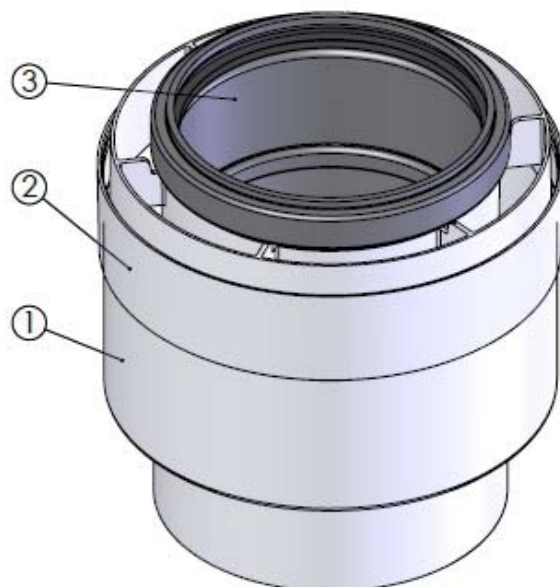


Unit of measure: mm



3	1	Expansion $\varnothing 80-110$ L165	-
2	1	Coupling unit $\varnothing 110-160$	ABS
1	1	Expansion $\varnothing 125-160$	EN-AW-1050A
Pos.	QTY.	Description	Material

Hekon art. : CD80/125-VG3