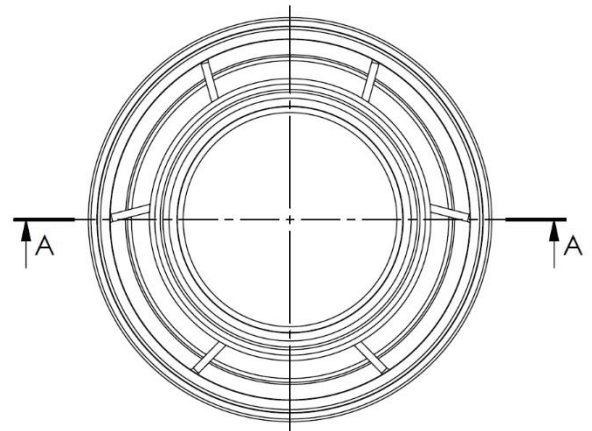
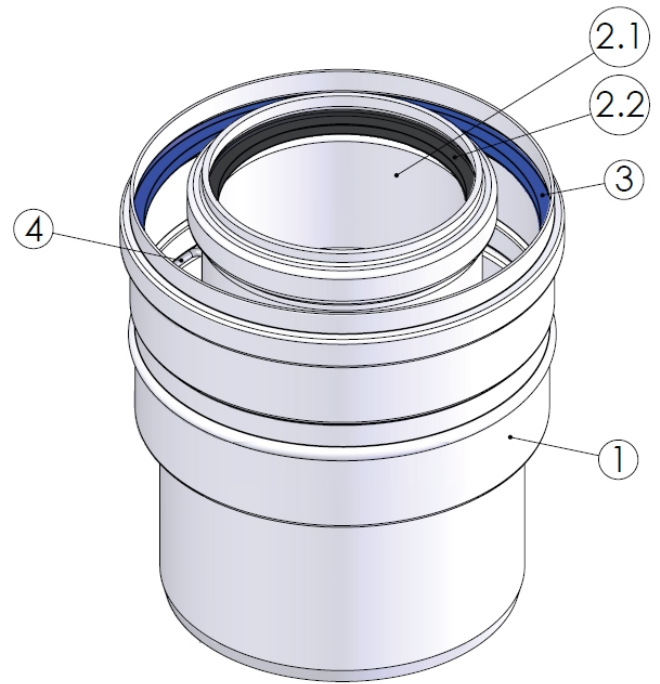


SECTION A-A



4	1	Spring ø80-125	RVS 301
3	1	Seal ø125	Silicone
2.2	1	Seal ø80	EPDM
2.1	1	Flue expansion ø75-80 L150	PPs
2	1	Flue expansion ø75-80 L150 + Seal	
1	1	Air reduction ø110-125 L143	EN-AW-1050A
Pos.	QTY.	Description	Material

Unit of measure: mm

Hekon art. : CD80/125-VIE