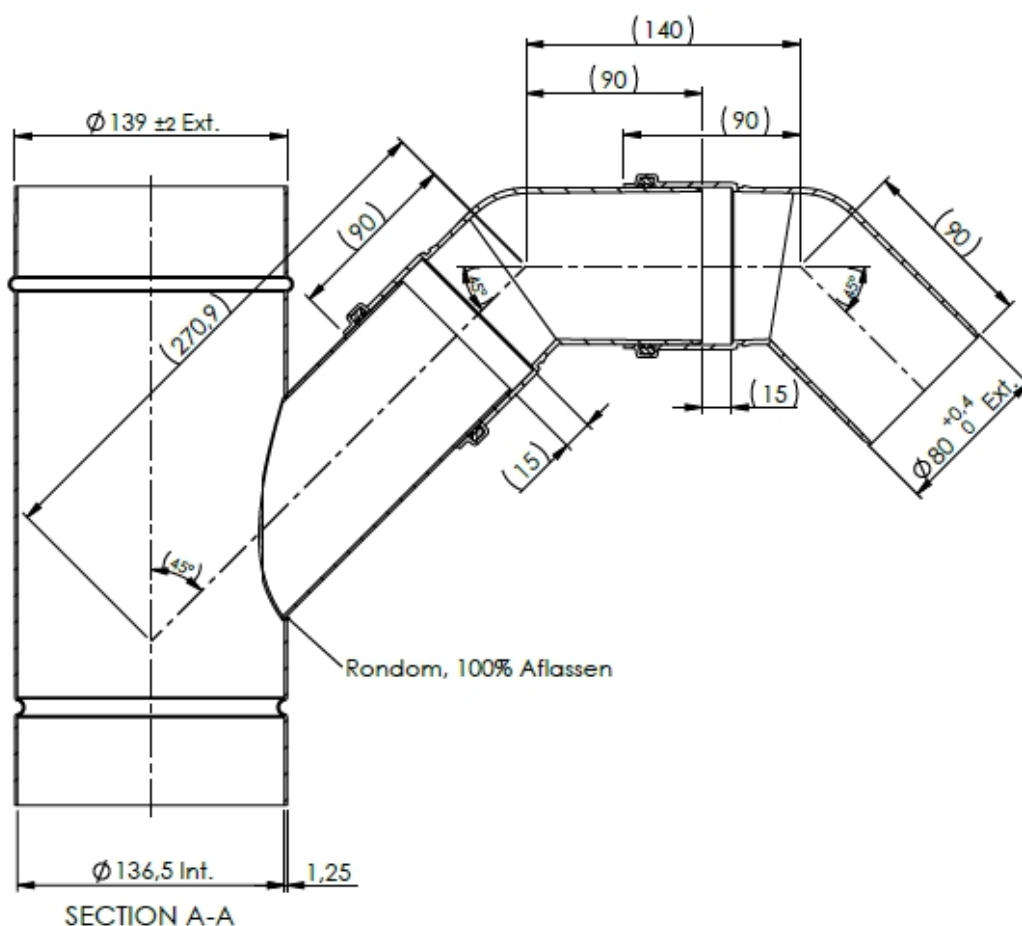


2	2	Flue bend ø80 45° PPs
1	1	T-piece 138-80
Pos.	QTY.	Description



Unit of measure: mm

Hekon art. : CDEC-BROEK