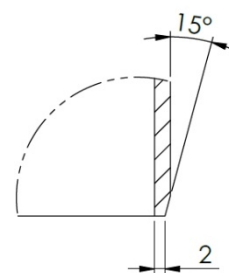
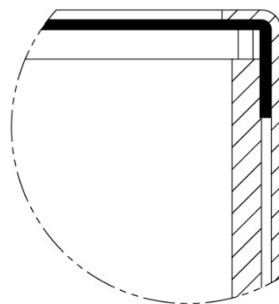
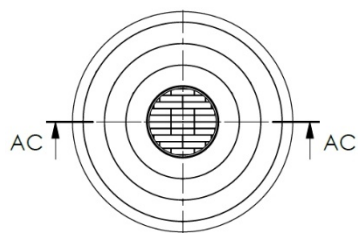


22	1	Bag	-
21	2	CE sticker	-
20	4	Push on washer 5mm	Stainless A2
19	1	Measuring tool assy-PP CFS	-
18	1	Support ring, with air inlet 180-PP CFS	-
17	2	Suspension bracket swing ring 180-PP CFS	-
16	4	Washer M8x30	St St
15	4	Closing lid- house cord- PP CFS	PA
14	2	Bolt M6 x 20	StSt
13	2	Cap hex nut M6	Stainless A2
12	2	Suspension strip short - PP CFS	AISI 304
11	2	Seal EPDM Flue gas M 180 - PP CFS	EPDM Flue gas
10	4	Seal EPDM Flue gas ø67 Reversed S	EPDM Flue gas
9	4	Closing lid 60-PP CFS	CoxPP-BBA
8	1	House 180 terminal-PP CFS	CoxPP-BBA
7	1	House 180 bottom-PP CFS	CoxPP-BBA
6	1	Flue gas pipe 180 - PP CFS	CoxPP-BBA
5	1	Flue gas pipe 180 - PP CFS	CoxPP-BBA
4	1	Grid 180-PP CFS	AISI 304
3	12	Rivet 4,0x12 black	Al
2	1	Roof terminal rain cover 180-PP CFS	EN-AW-1050A
1	1	Roof terminal air cover 180 - PP CFS	EN-AW-1050A
Pos.	QTY.	Description	Material

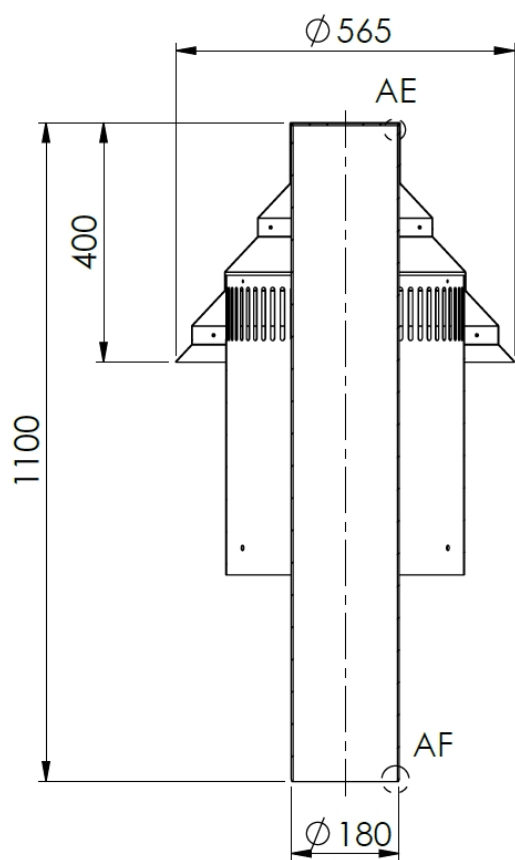
Unit of measure: mm

Hekon art. : CH180-T+B

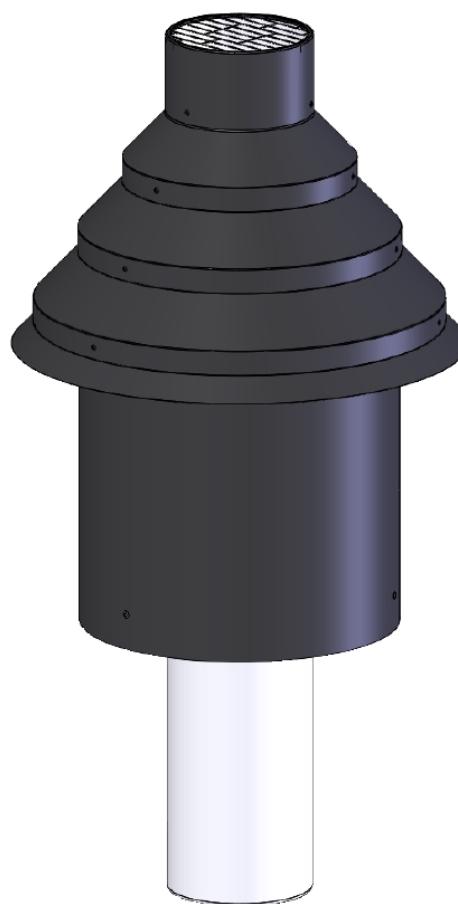


DETAIL AE

DETAIL AF

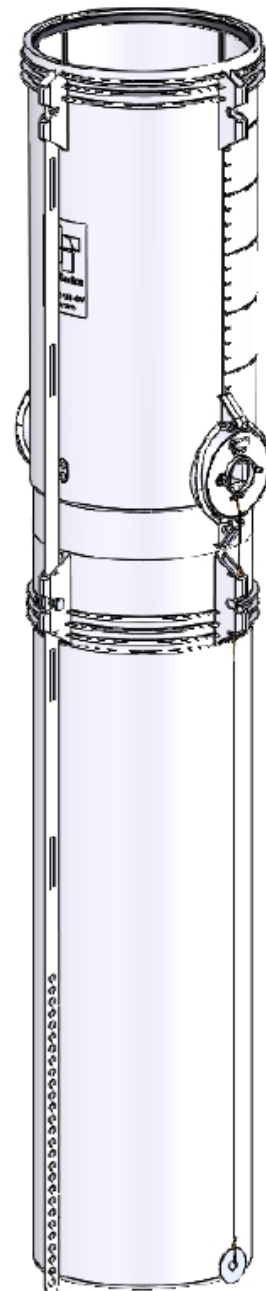
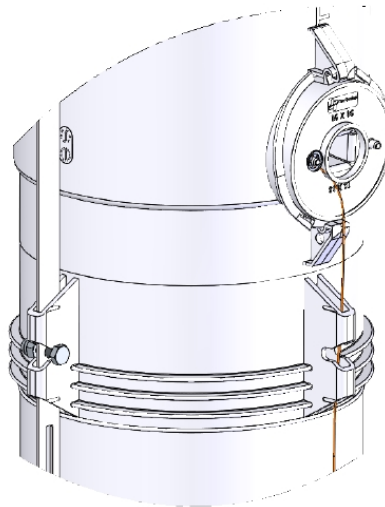
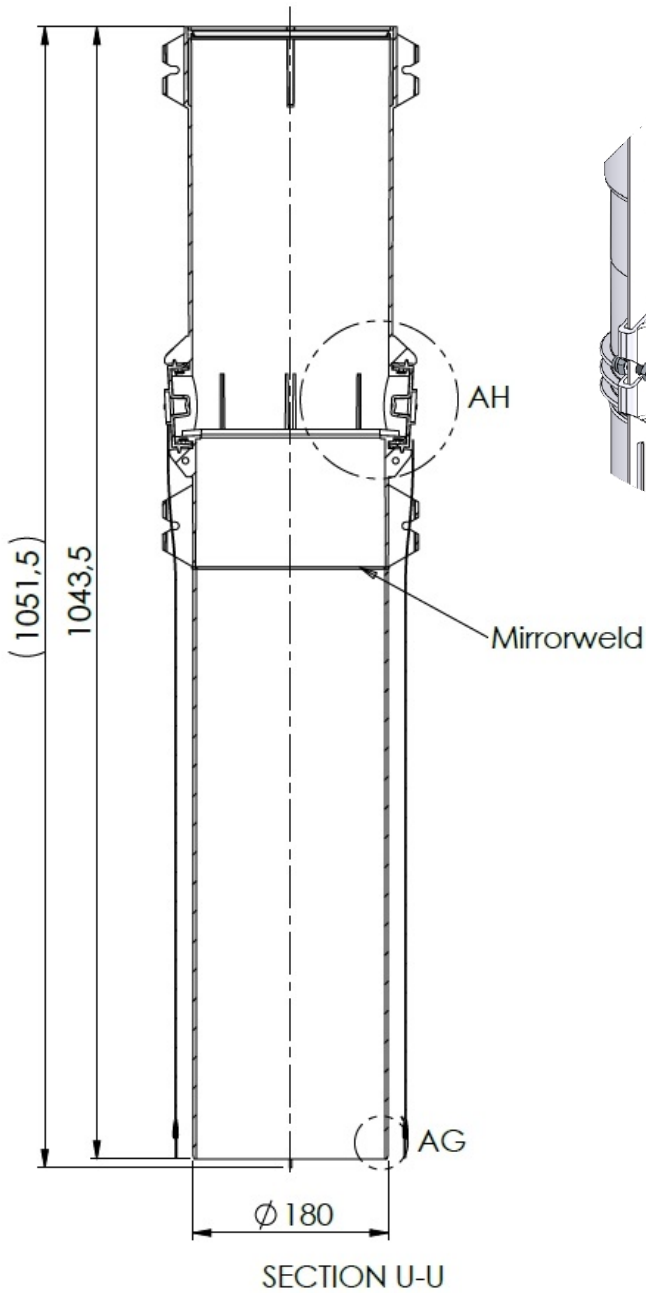
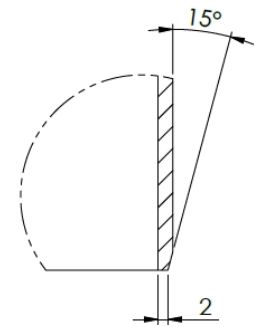
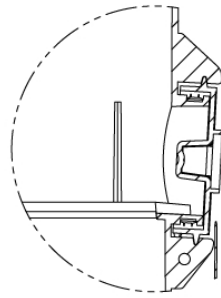
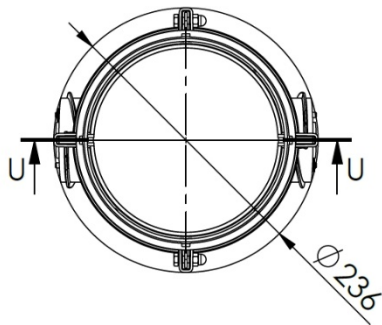


SECTION AC-AC

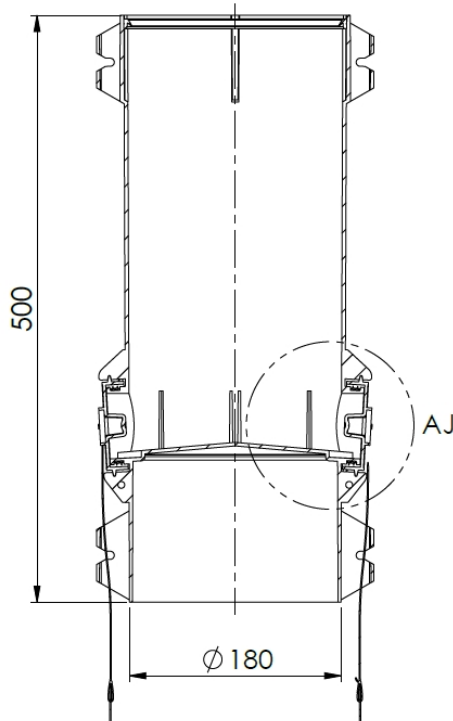
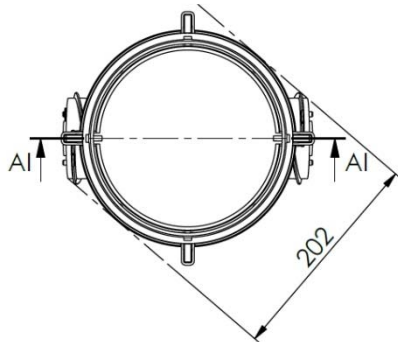


Unit of measure: mm

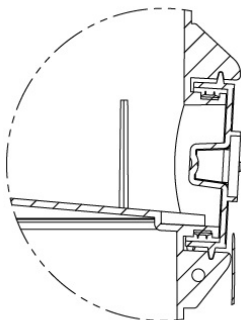
Hekon art. : CH180-T+B



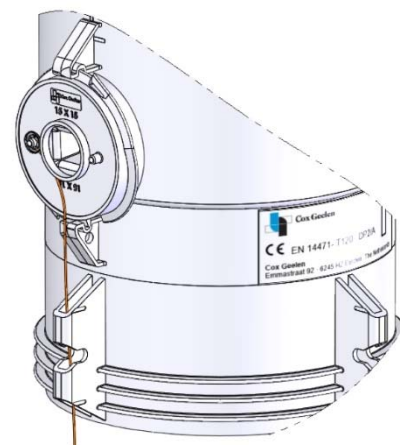
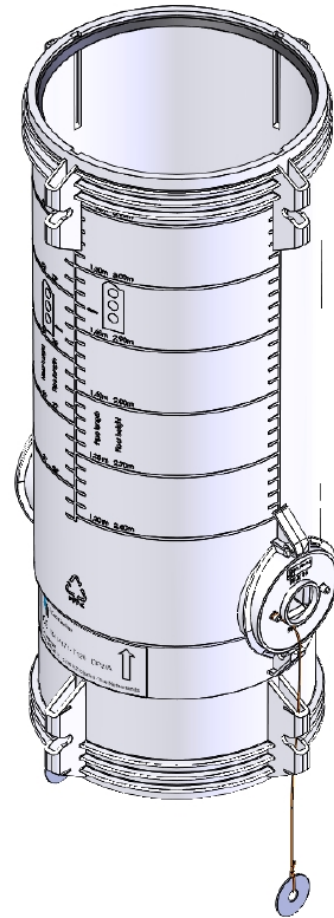
Unit of measure: mm  
Hekon art. : CH180-T+B



SECTION AI-AI



DETAIL AJ



Unit of measure: mm

Hekon art. : CH180-T+B