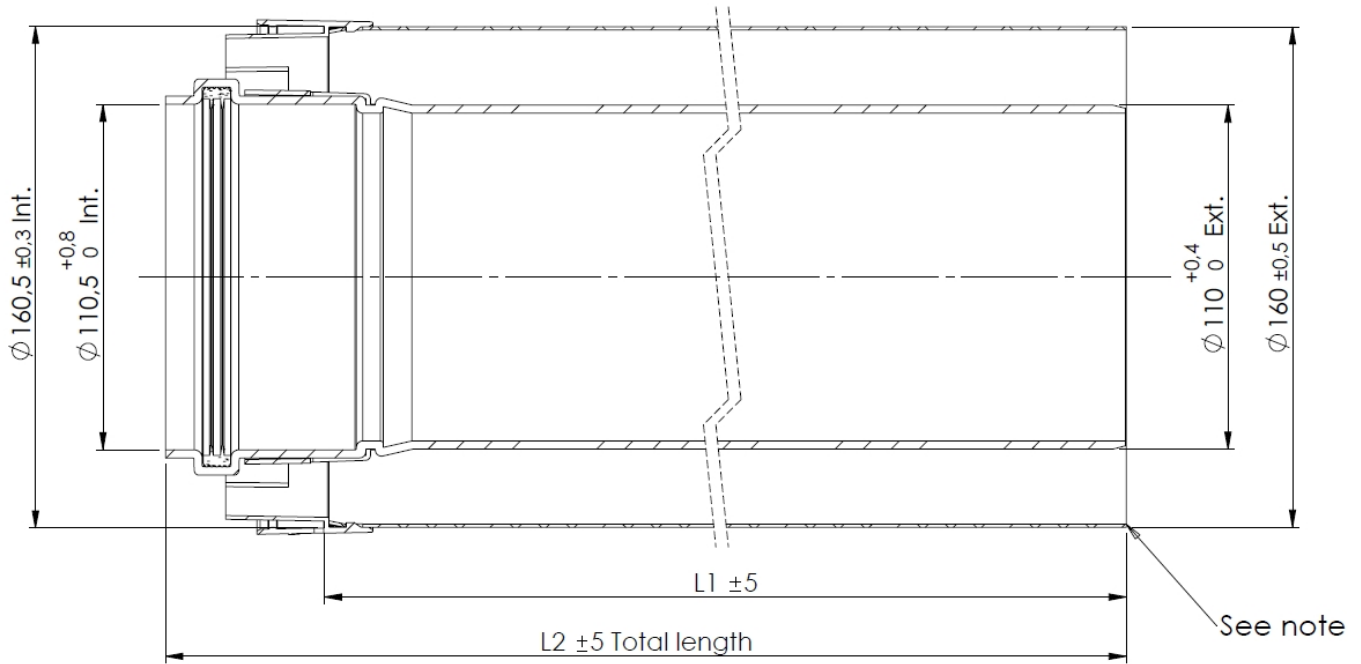
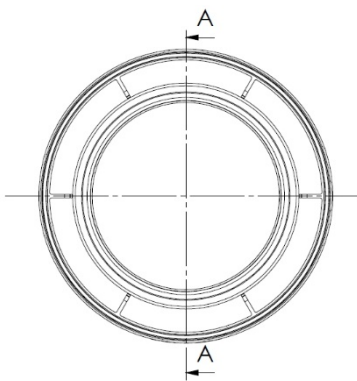


SECTION A-A

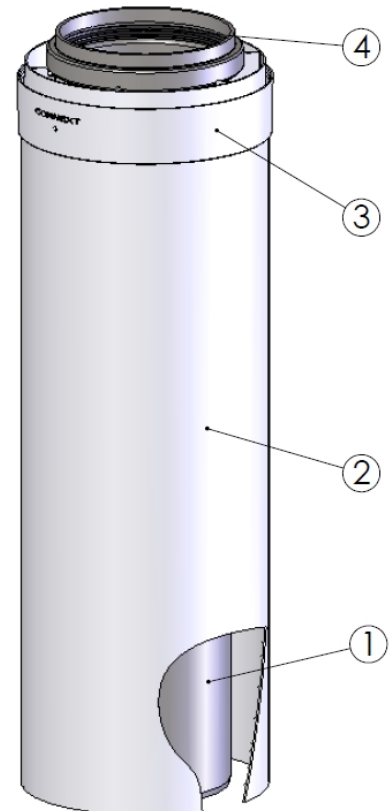
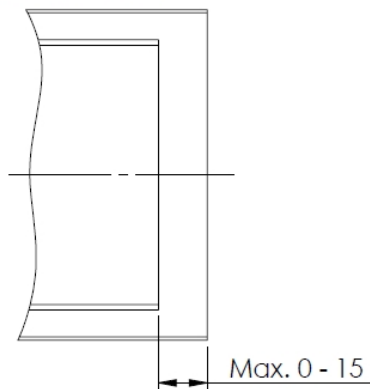
Unit of measure: mm



L1	L2
200	250
450	500



Note: Insert end



Pos.	Qty.	Description	Material
4	1	Seal	EPDM
3	1	Coupling unit $\varnothing 110-160$	PC/ABS
2	1	Airinlet pipe	EN-AW-1050A
1	1	Flue Pipe	PPs

Hekon art. : CN110/160-50