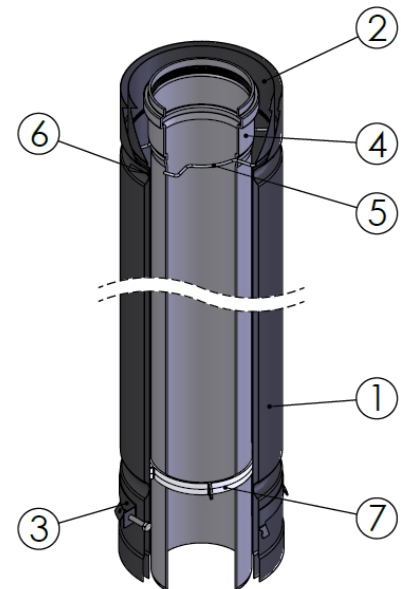
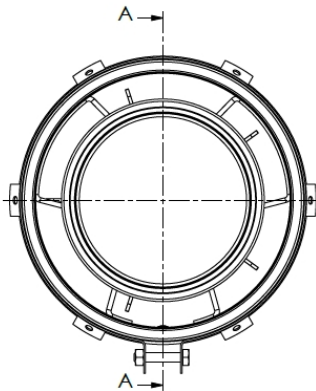


SECTION A-A



7	1	Concentric bracing bracket $\varnothing$ 100-150	CoxPP-AZA
6	3	Rivet $\varnothing$ 3.2 x 6	RVS
5	1	Spring $\varnothing$ 110-160	AISI 301
4	1	Flue pipe $\varnothing$ 110 L500	-
3	1	Clamp $\varnothing$ 180	-
2	1	Extension pipe $\varnothing$ 160	DX52D
1	1	Extension pipe $\varnothing$ 180	DX52D
Pos.	QTY.	Description	Material

Unit of measure: mm

Hekon art. : CN110/160B10