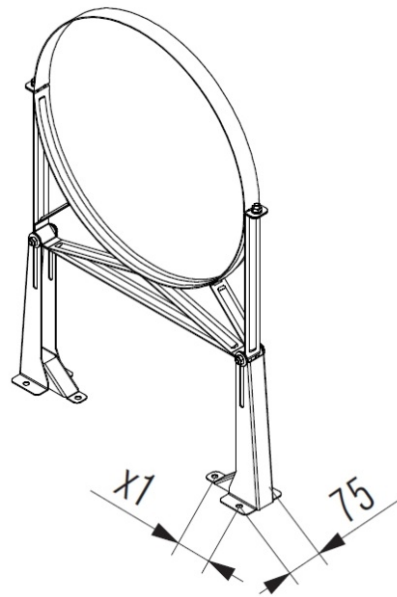
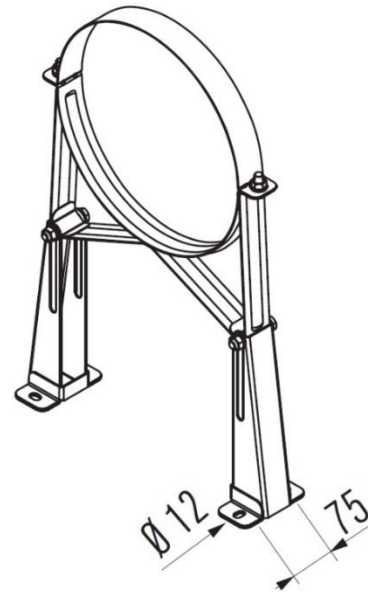


DIMF\*\*\*RMB2 90-200  
DIMF\*\*\*RMB3 190-300  
DIMF\*\*\*RMB4 290-400



|    |             |     |     |     |     |     |     |     |     |     |     |     |
|----|-------------|-----|-----|-----|-----|-----|-----|-----|-----|-----|-----|-----|
| Ø  | 100         | 130 | 150 | 180 | 200 | 250 | 300 | 350 | 400 | 450 | 500 | 600 |
| D  | 150         | 180 | 200 | 230 | 250 | 300 | 350 | 400 | 450 | 525 | 575 | 675 |
| X  | 180         | 210 | 230 | 260 | 280 | 330 | 380 | 430 | 480 | 535 | 585 | 685 |
| x1 | DIMF***RMB2 |     |     | -   | -   | -   | -   | -   | -   | -   | 70  | 70  |
|    | DIMF***RMB3 |     |     | -   | -   | -   | -   | -   | -   | -   | 110 | 110 |
|    | DIMF***RMB4 |     |     | -   | -   | -   | -   | -   | -   | -   | 105 | 105 |

Unit of measure: mm

Hekon art. : DIMF350-RMB2