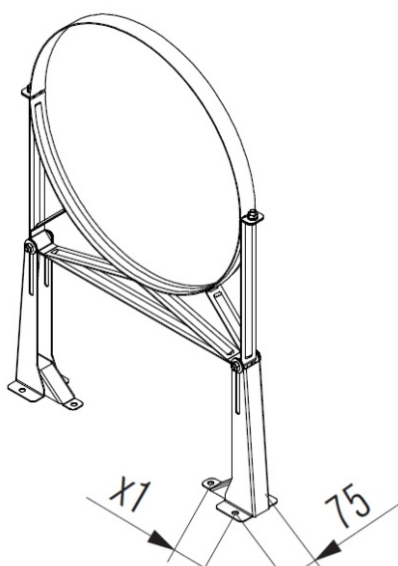
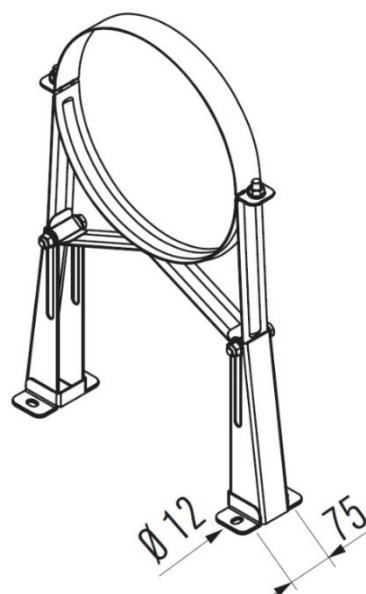
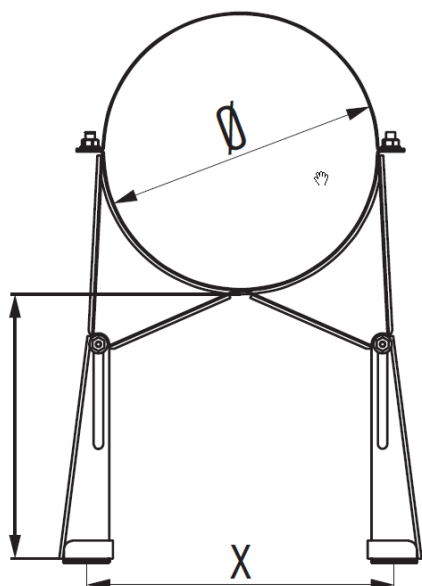


DIMF***RMB2 90-200
DIMF***RMB3 190-300
DIMF***RMB4 290-400



| | | | | | | | | | | | | |
|----|-------------|-----|-----|-----|-----|-----|-----|-----|-----|-----|-----|-----|
| Ø | 100 | 130 | 150 | 180 | 200 | 250 | 300 | 350 | 400 | 450 | 500 | 600 |
| D | 150 | 180 | 200 | 230 | 250 | 300 | 350 | 400 | 450 | 525 | 575 | 675 |
| x | 180 | 210 | 230 | 260 | 280 | 330 | 380 | 430 | 480 | 535 | 585 | 685 |
| x1 | DIMF***RMB2 | | | - | - | - | - | - | - | - | 70 | 70 |
| | DIMF***RMB3 | | | - | - | - | - | - | - | - | 110 | 110 |
| | DIMF***RMB4 | | | - | - | - | - | - | - | - | 105 | 105 |

Unit of measure: mm

Hekon art. : DIMF450-RMB4