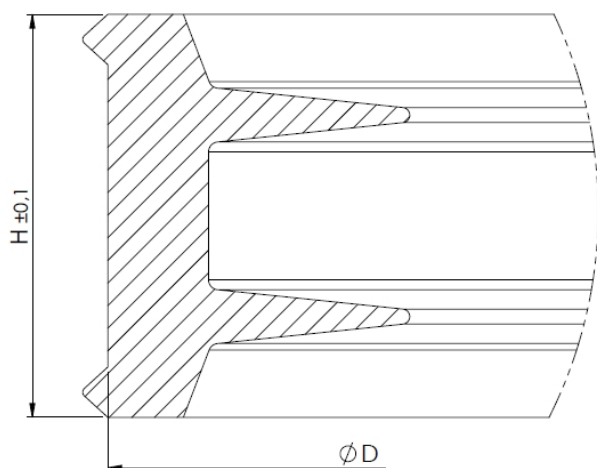
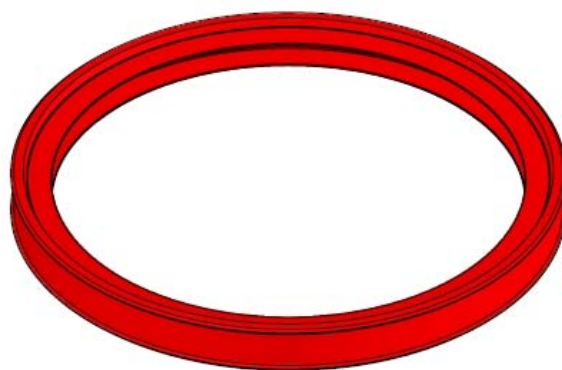


SECTION A-A



DETAIL B
SCALE 10 : 1

| Type | H | ØD | Tol. |
|------|---|-----|----------------|
| 60 | 8 | 67 | ± 0.5 |
| 70 | 8 | 77 | |
| 80 | 8 | 87 | |
| 90 | 8 | 97 | |
| 100 | 8 | 107 | + 0.9 - 0.5 |
| 110 | 8 | 117 | |
| 130 | 8 | 137 | |
| 150 | 8 | 157 | |



Unit of measure : mm

Hekon art. : DWA100-RUBBER