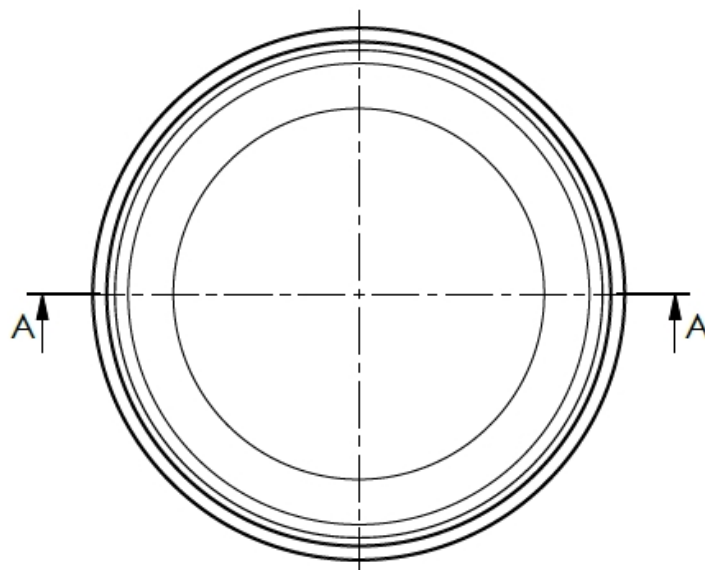
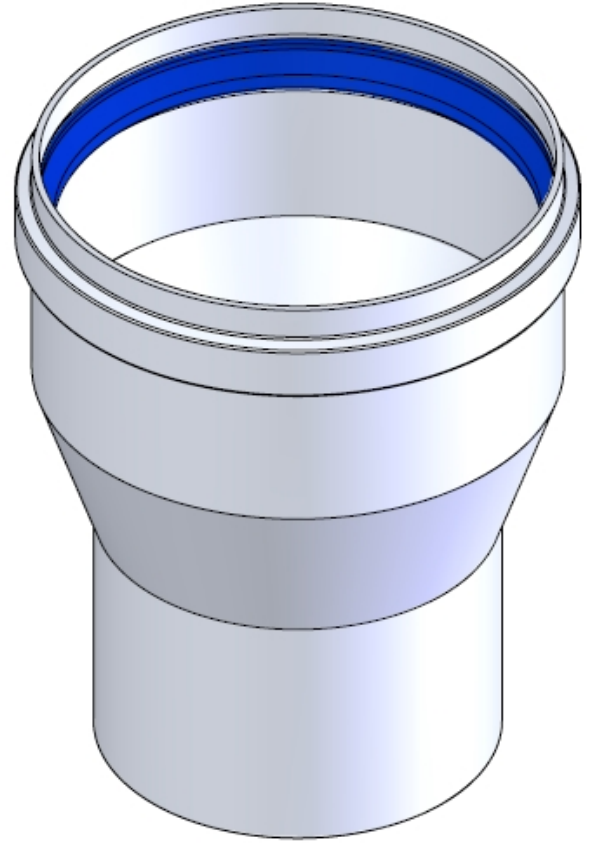


SECTION A-A



Hekon art. : DWA80/100-VL