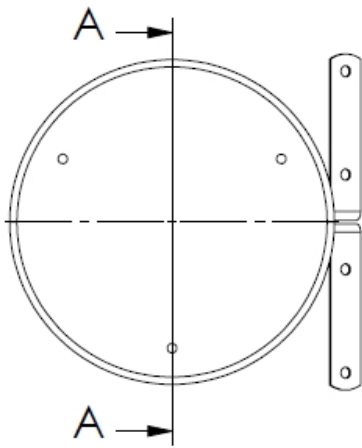
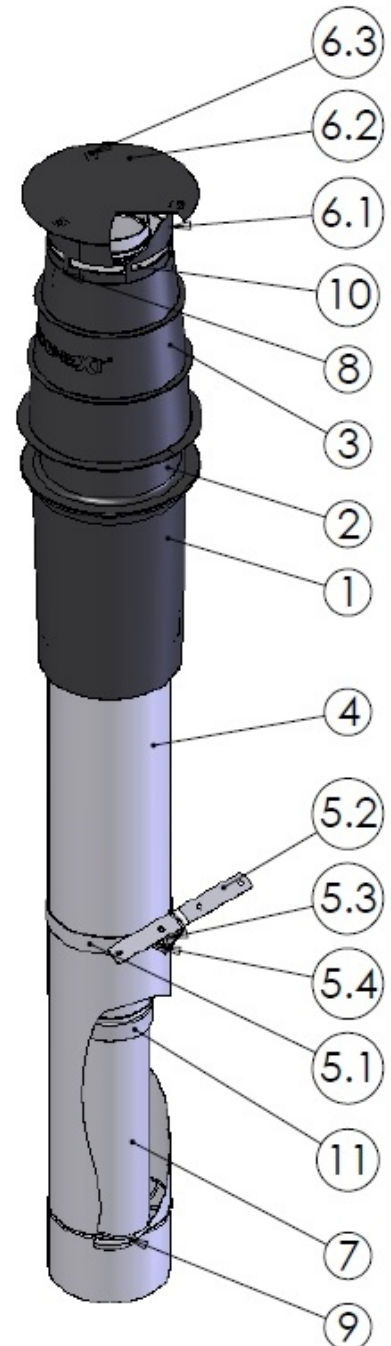


SECTION A-A



Upper roof part colours
Black (RAL 9005)
Terracotta (RAL 8023)



11	1	Isolation tube	DX52D+Z275-NA
10	1	Reduction	EN-AW-1050A
9	1	Spring ø80-125	RVS 304
8	3	Self-tapping screw 3.5x9.5	RVS
7	1	Flue pipe ø80	EN-AW-6060
6.3	5	Solid rivet	Galvanized Steel
6.2	1	Plate	EN-AW-1050A
6.1	1	Hood	EN-AW-1050A
6	1	Cap Econext Dry	-
5.4	1	Bolt M5x25	ELVZ
5.3	1	Nut M5	ELVZ
5.2	1	Fixing bracket	DX52D+Z275-NA
5.1	1	Bracket	DX52D+Z275-NA
5	1	Stabilising bracket ø125	-
4	1	Air-inlet pipe ø125	DX52D+Z275-NA
3	1	Cap econeXt	PP
2	1	Air-inlet piece EconeXt VR	PP
1	1	Air-inlet pipe econeXt	PP
Pos.	QTY.	Description	Material

Hekon art. : EC80/125HDBA