

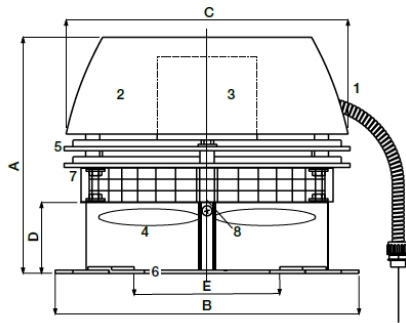
- |                |                   |
|----------------|-------------------|
| 1. Motor cable | 5. Cooling plate  |
| 2. Top section | 6. Base plate     |
| 3. Motor       | 7. Hinges         |
| 4. Vane        | 8. Locking screws |

A	B	Ø C	D	Ø E
405	480	450	100	380

Unit of measure: mm

Hekon art. : EXH-RS16

## Technical data



- |                |                   |
|----------------|-------------------|
| 1. Motor cable | 5. Cooling plate  |
| 2. Top section | 6. Base plate     |
| 3. Motor       | 7. Hinges         |
| 4. Vane        | 8. Locking screws |

Technical data										
Model	Motor specifications				Weight kg	Dimension (mm)				
	rpm	V	Amp	kW*		A	B	C Ø	D	E Ø
RS009-4-1	1400	1 x 230	0.3	0.05	9	250	300	285	75	220
RS012-4-1	1400	1 x 230	0.4	0.09	14	275	365	350	85	280
RS014-4-1	1400	1 x 230	0.6	0.13	18	330	420	395	100	330
RS016-4-1	1400	1 x 230	1.2	0.29	25	405	480	450	100	380
RS255-4-1	1400	1 x 230	0.4	0.07	14	260	300	350	35	200
RS285-4-1	1400	1 x 230	0.8	0.18	20	290	355	395	35	230

\*Power consumption at ambient temperature of 20 °C

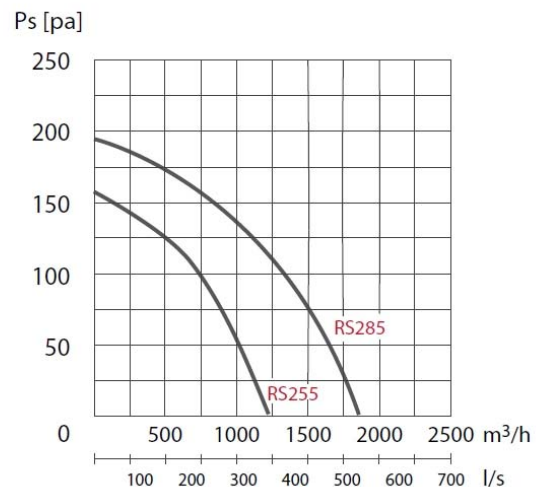
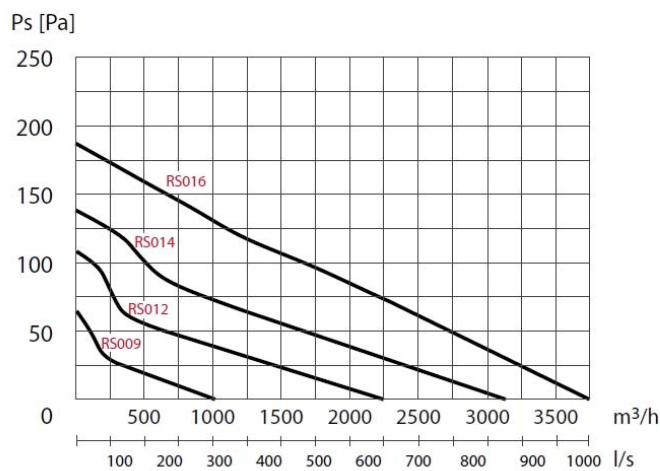
The RPM of the above fan models are infinitely adjustable

Motor protection IP rating IP54

Insulation class F

The RS009 and RS012 fans can also be supplied with an octagonal bottom section, specially designed for circular chimneys.

## Capacity diagrams



Hekon art. : EXH-RS16

Type	Test flue diameters
RS009	Ø 160 mm
RS012	Ø 200 mm
RS014	Ø 250 mm
RS016	Ø 315 mm
RS255	Ø 200 mm
RS285	Ø 250 mm
at 1400 rpm	

PLEASE NOTE: The capacity diagrams are measured with a flue gas temperature of 20 °C. The fan's capacity changes with the temperature of the flue gases. The correction of the capacity can be calculated using the following equation:

$$P_{S_{20}} = P_{S_t} \times \frac{273 + t}{293}$$

$P_S$  = static pressure  
 $t$  = temperature measured in °C

Example

System demand: 500 m<sup>3</sup>/h and 90 Pa at 180°C

Fan selection: 500 m<sup>3</sup>/h and 139 Pa at 20°C

## Sound data

Sound levels to external surroundings (ISO 3744)								
Model	Lw (dB)							Lp dB (A)
	125 Hz	250 Hz	500 Hz	1000 Hz	2000 Hz	4000 Hz	8000 Hz	
RS009-4-1	54	50	47	43	38	31	25	21
RS012-4-1	64	60	55	52	48	42	34	30
RS014-4-1	75	69	65	62	57	51	44	41
RS016-4-1	81	76	72	69	64	58	52	47

Tolerance +/- 3 dB.

Lw = sound effect level dB (reference: 1 pW)

Lp = sound pressure level dB (A) at 10 m distance from the fan at half spheric sound distribution

Lp (5 m) = Lp (10 m) + 6 dB

Lp (20 m) = Lp (10 m) - 6 dB

Hekon art. : EXH-RS16