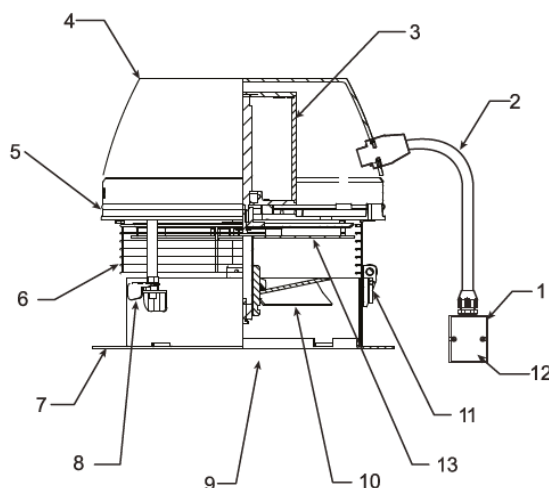
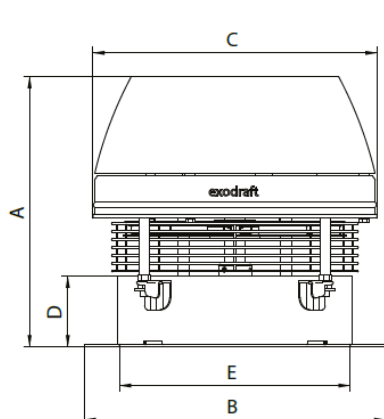


- | | | | |
|---|---------------------------------|----|------------------------|
| 1 | Capacitor and repair switch box | 7 | Base plate |
| 2 | Conduit/cord | 8 | Locking handle |
| 3 | Motor | 9 | Inlet |
| 4 | Motor housing | 10 | Axial vane |
| 5 | Motor plate | 11 | Hinge |
| 6 | Bird screen | 12 | Capacitor (inside box) |
| | | 13 | Cooling wheel |

A	B	Ø C	D	Ø E
372	422	395	100	330

Unit of measure: mm
Hekon art. : EXH-RSHT014

Technical data



- 1 Capacitor and repair switch box
- 2 Conduit/cord
- 3 Motor
- 4 Motor housing
- 5 Motor plate
- 6 Bird screen
- 7 Base plate
- 8 Locking handle
- 9 Inlet
- 10 Axial vane
- 11 Hinge
- 12 Capacitor (inside box)
- 13 Cooling wheel

Type	Motor data				Weight kg	Dimensions (mm)				
	RPM	V	Amps	kW*		A	B	C ø	D	E ø
RSHT009-4-1	1400	1 x 230	0,4	0,09	12	298	296	275	75	220
RSHT012-4-1	1400	1 x 230	0,6	0,13	15	325	364	344	85	280
RSHT014-4-1	1400	1 x 230	1,2	0,29	19	372	422	395	100	330
RSHT016-4-1	1400	1 x 230	1,8	0,37	22	400	478	441	100	380

Type \ Lw(dB)	125 Hz	250 Hz	500 Hz	1000 Hz	2000 Hz	4000 Hz	8000 Hz	LP dB(A)
RSHT009-4-1	66	61	63	57	58	57	51	37
RSHT012-4-1	72	74	71	65	66	62	54	33
RSHT014-4-1	80	76	72	70	71	68	61	49
RSHT016-4-1	84	81	75	74	73	70	65	52

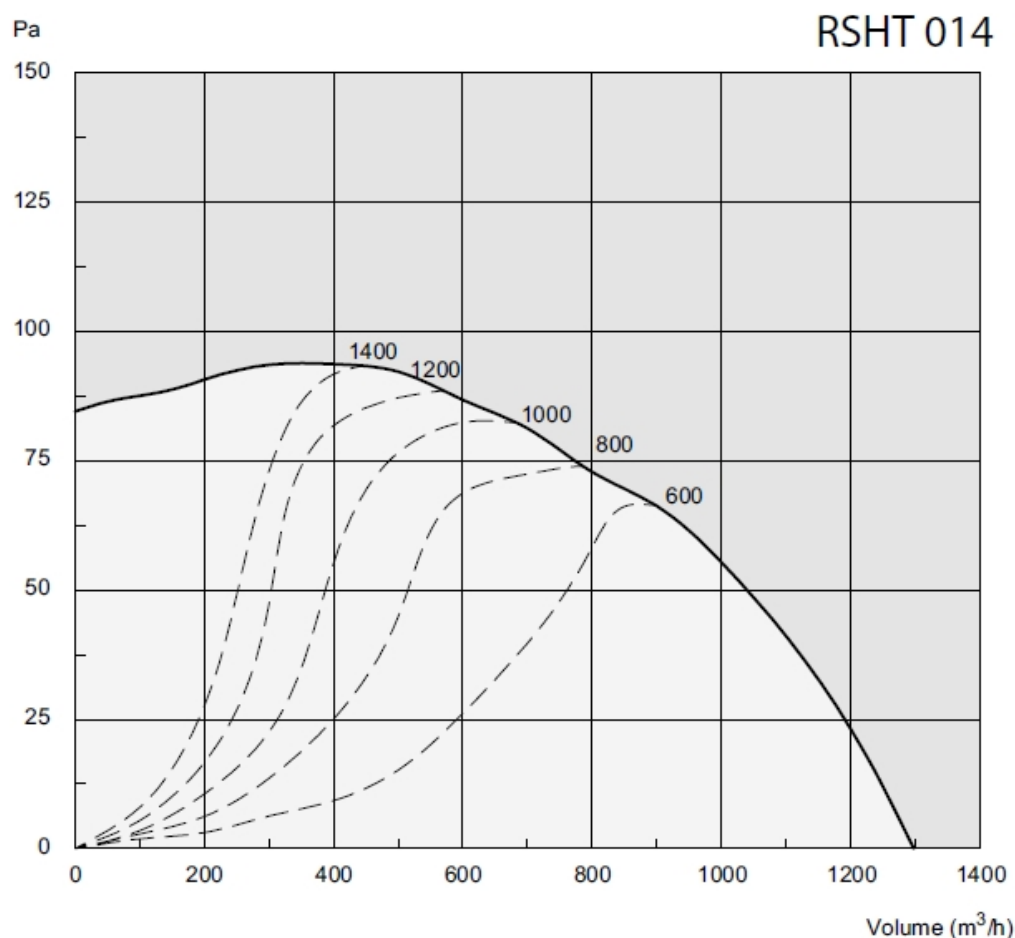
* Power absorbed with an ambient temperature of 20 °C

The rotational speed of the flue gas fan is steplessly variable on all single phase 230 V versions.

Protection rating IP 54, Insulation class F

Hekon art. : EXH-RSHT014

Capacity diagram



--- Specific Fan Power (SFP) curve
 — Capacity curve

SFP

SFP = (joule/m³)
 P1 = consumption (watt)
 qv = flow (m³/h)

$$P1 = \frac{SFP \times qv}{3600}$$

Capacity curve

The capacity diagrams are measured with a flue gas temperature of 20 °C. The fan's capacity changes with the temperature of the flue gases. The correction of the capacity can be calculated using the following equation:

$$P_{S_{20}} = P_{S_t} \times \frac{(273 + t)}{293}$$

P_S = static pressure
 t = temperature measured in °C

Example: (RSHT012)

System demand: 600 m³/h and 32 Pa at 180 °C

Fan selection: 600 m³/h and 50 Pa at 20 °C

Hekon art. : EXH-RSHT014

Sound data RSHT 014

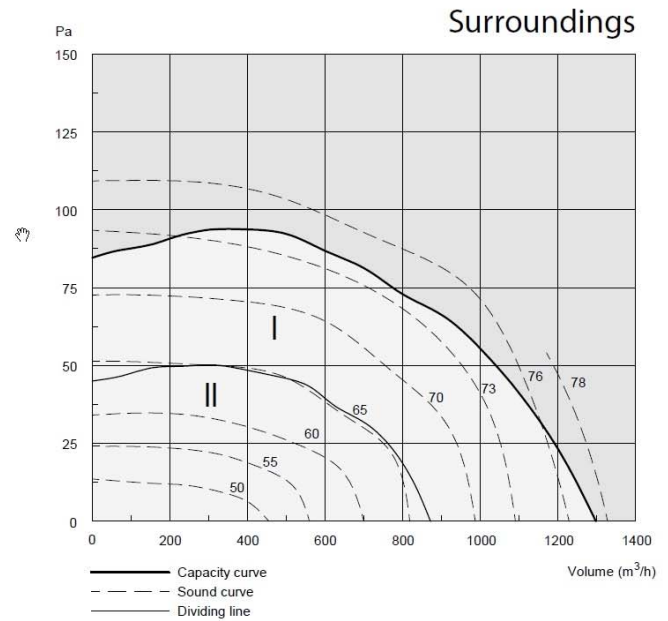
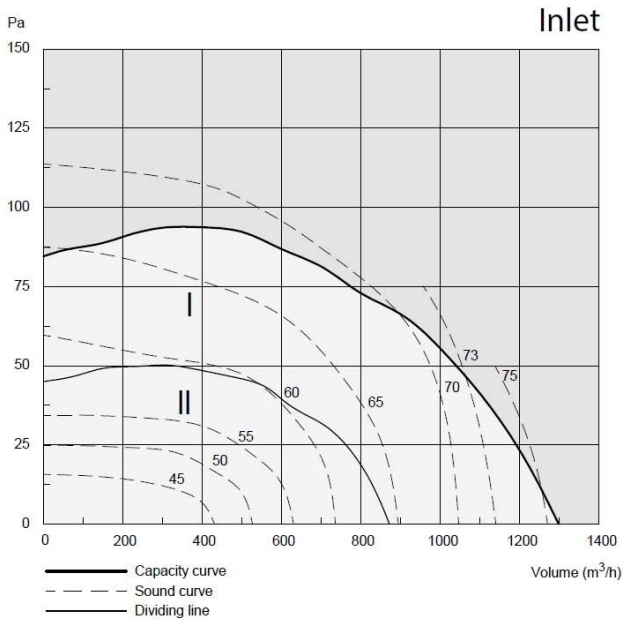


Table 1									
Correction factors for calculating sound output in the first octave band to extractor channel and surroundings. [dB]									
	Area	63Hz	125 Hz	250 Hz	500 Hz	1000 Hz	2000 Hz	4000 Hz	8000 Hz
Inlet channel (K_W)	I	14	13	3	-7	-9	-13	-17	-20
	II	17	11	2	-2	-11	-17	-25	-29
Surroundings (K_W)	I	4	3	-1	-5	-7	-6	-9	-16
	II	11	5	1	-2	-8	-9	-12	-18

Table 2									
Correction factors for calculating A-weighted sound pressure to surroundings [dB(A)]									
	Area	10m							
Pressure (K_{pA})	I	-28							
	II	-28							

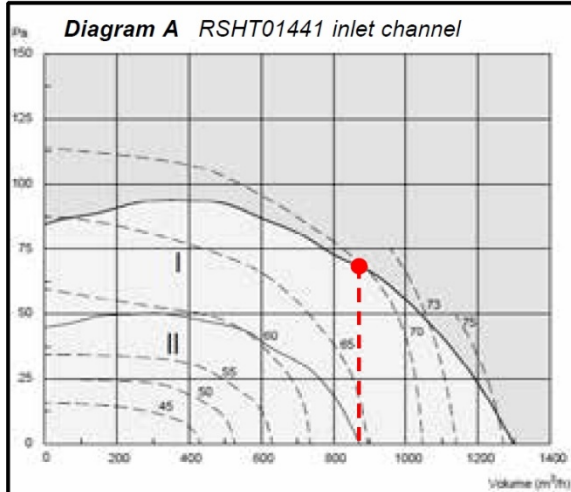
Table 3									
Example: Sound power output level for inlet channel [dB] = (Readings in Diagram A) + (Correction factor in Table 1)									
	Area	63Hz	125 Hz	250 Hz	500 Hz	1000 Hz	2000 Hz	4000 Hz	8000 Hz
Sound power output to inlet channel in the first octave band (L_{W1})	I	83	82	72	62	60	56	52	49
	II	-	-	-	-	-	-	-	-

Table 4									
Example: Sound power output level for surroundings [dB] = (Readings in Diagram B) + (Correction factor in Table 1)									
	Area	63Hz	125 Hz	250 Hz	500 Hz	1000 Hz	2000 Hz	4000 Hz	8000 Hz
Sound power output to surroundings in the first octave band (L_{W3})	I	78	77	73	69	67	68	65	58
	II	-	-	-	-	-	-	-	-

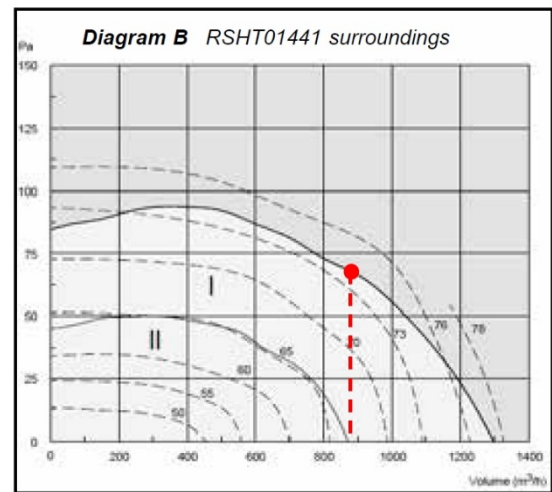
Table 5									
Example: Sound pressure to surroundings [dB(A)] = (Readings in Diagram B) + (Correction factor in Table 2) Every time that distance doubles another 6 dB is withdrawn. Example: 20m = 74 - 28 - 6=40									
	Area	10m	20m	40m	80m				
A-weighted sound pressure in () meters distance (L_{pA3})	I	46	40	34	28				
	II	-	-	-	-				

Hekon art. : EXH-RSHT014

Example: For the values in **Table 3** is read the factor (L_{WA1}) in **Diagram A** at 2/3 of max. flow.
2/3 of 1300 M³/h = 867 M³/h
Reading = 69



Example: For the values in **Table 4** and **Table 5** is read the factor (L_{WA3}) in **Diagram B** at 2/3 of max. flow.
2/3 of 1300 M³/h = 867 M³/h
Reading = 74



K_W : Correction factor for calculating sound output in the first octave band.

K_{pA} : Correction factor for calculating A-weighted sound pressure.

L_{W1} : Sound output level for inlet channel

L_{W3} : Sound output level to surroundings

L_{pA3} : Sound pressure level dB(A) at a distance of 10 metres from hemi-spherical sound dissipation in free field and with insulated connection ducts..

I: Upper operating area.

II: Lower operating area.

L_{WA1} can be read from the curve diagram.

L_{WA3} can be read from the curve diagram.

Hekon art. : EXH-RSHT014