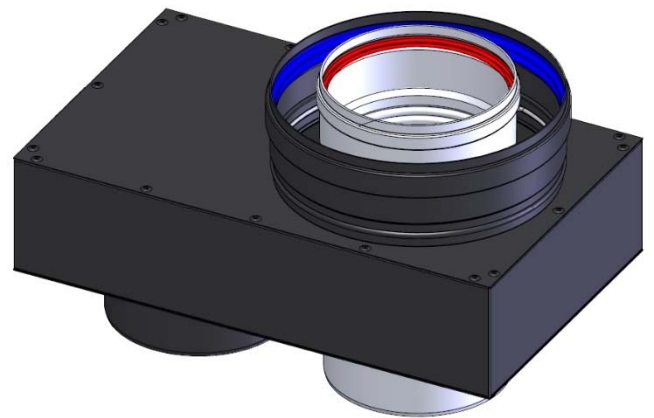
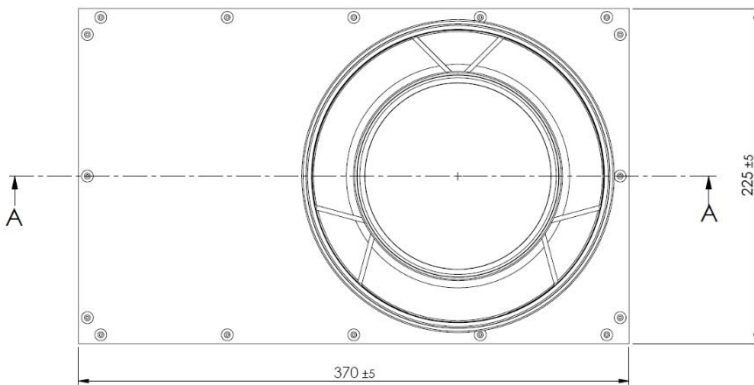


SECTION A-A



11	32	Rivet $\varnothing 4 \times 9.5$	Al
10	1	Seal VMQ Flue gas $\varnothing 130$	VMQ Flue gas
9	1	Flue pipe	EN-AW-6060
8	1	Spring	AISI 301
7	1	Air pipe	EN-AW-6060
6	1	Distance ring $\varnothing 130$	VMQ Air
5	1	Seal $\varnothing 200$	VMQ
4	1	Air pipe $\varnothing 200$	EN-AW-1050A
3	1	Top plate	DX52D
2	1	Bottom plate	DX52D
1	1	Side plate	DX52D
Pos.	QTY.	Description	Material

Hekon art. : GR130/200ABR