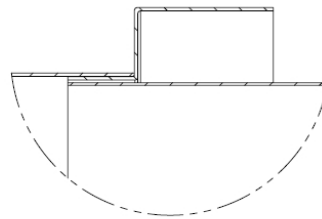
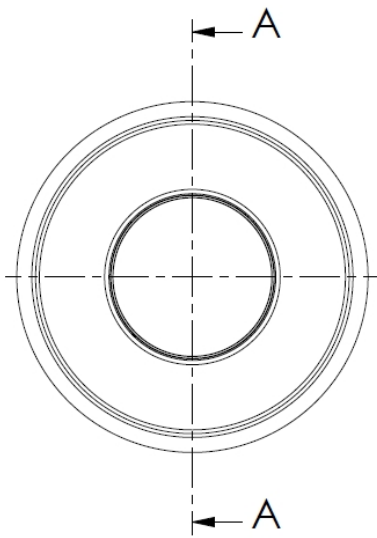
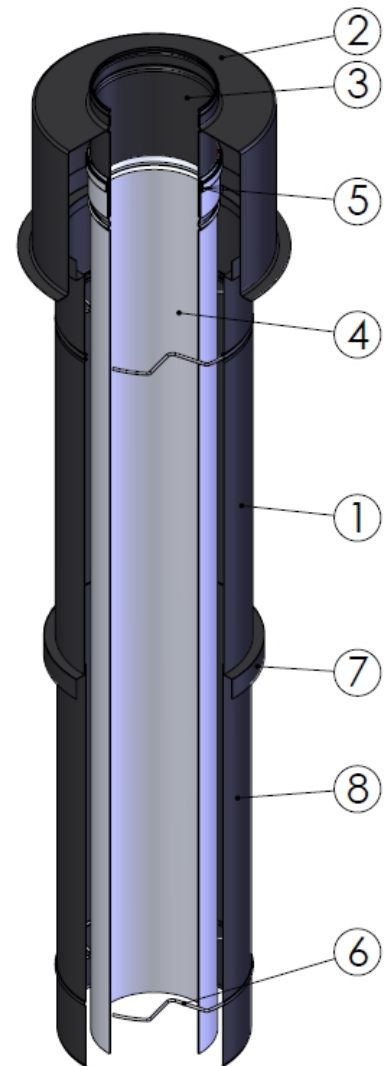


SECTION A-A



DETAIL A  
SCALE 1 : 1



8	1	Air pipe	DX52D
7	2	Cavity ring ø200	DX52D
6	2	Spring	AISI 301
5	1	Seal VMQ Flue gas ø130	VMQ Flue gas
4	1	Flue pipe	EN-AW-6060
3	1	Flue pipe	EN-AW-6060
2	1	Air inlet hood	EN-AW-1050A
1	1	Air pipe	DX52D
Pos.	QTY.	Description	Material

Hekon art. : GR130/200ADC