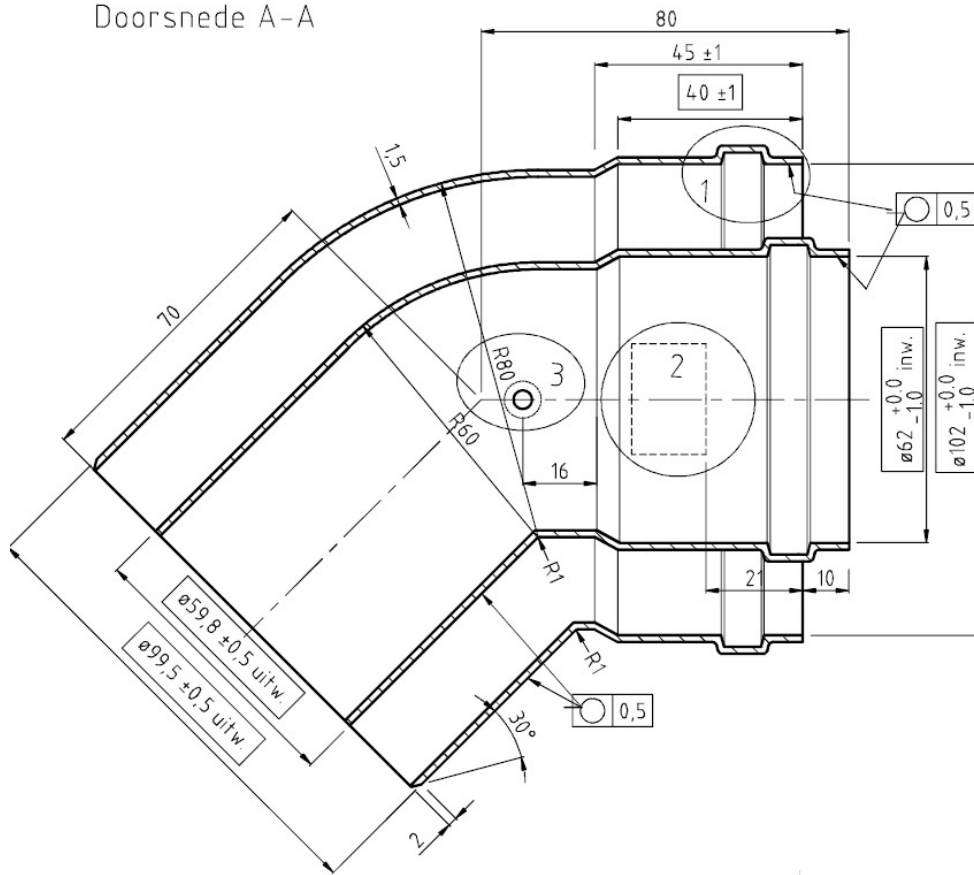
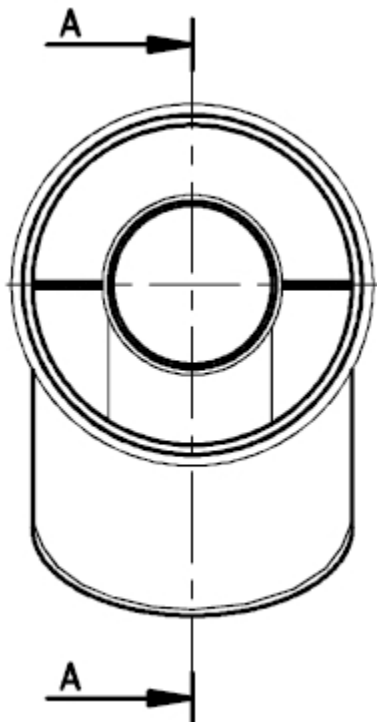
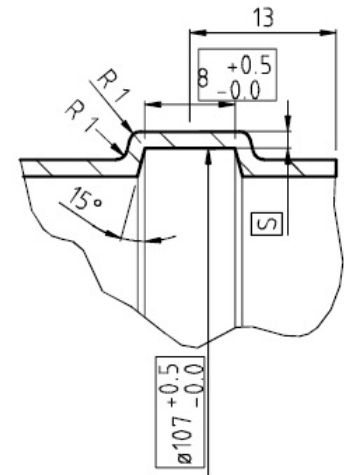


Doorsnede A-A



Detail 1 (2:1)



	S	D
Buitenbocht	1.5 ± 0.5	$\varnothing 102 \begin{smallmatrix} +0.0 \\ -1.0 \end{smallmatrix}$
Binnenbocht	$1.5 \begin{smallmatrix} +1.0 \\ -0.0 \end{smallmatrix}$	$\varnothing 62 \begin{smallmatrix} +0.0 \\ -1.0 \end{smallmatrix}$

Hekon art. : GR60/100-045