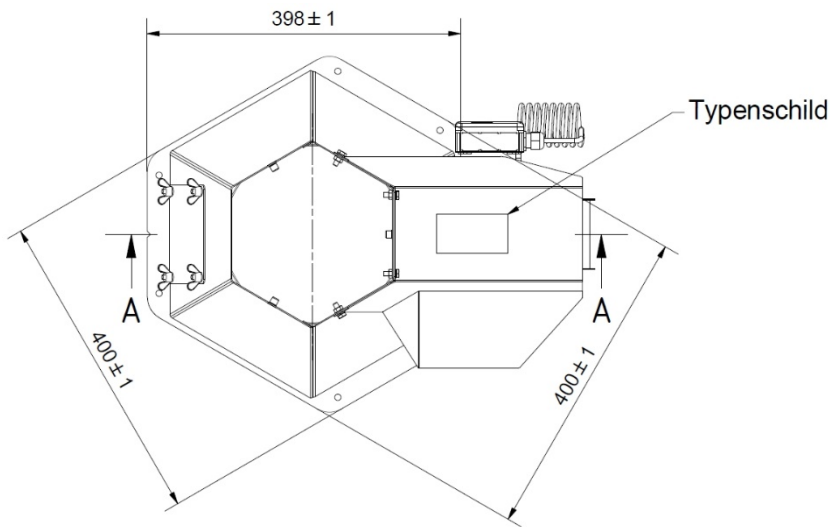
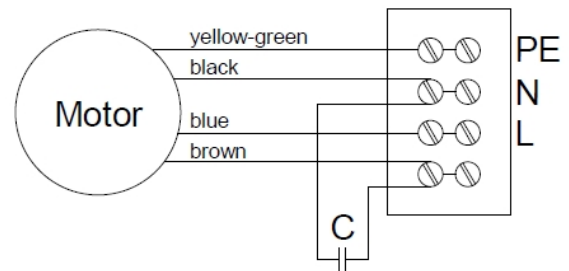


Unit of measure: mm

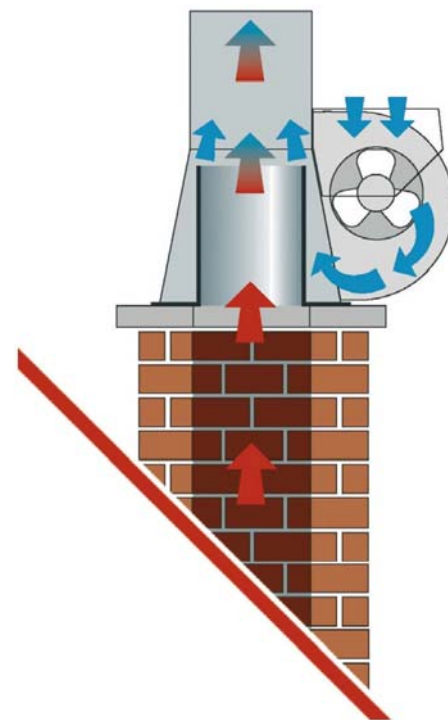
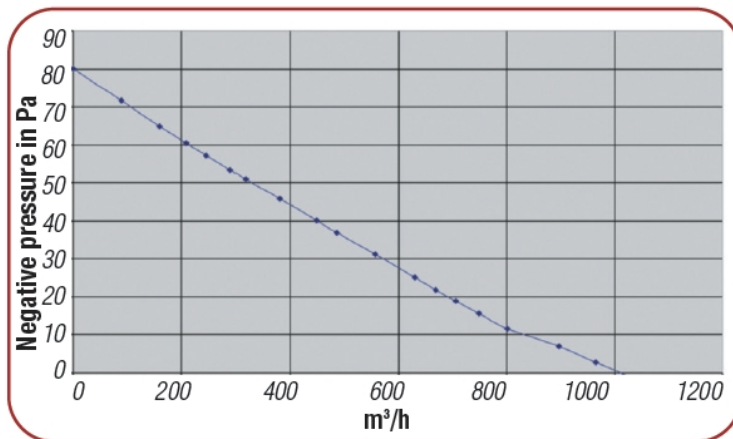
Hekon art. : KW-225ES



## Anschlussplan



For a chimney diameter or outlet  
of 100 mm to 250 mm (100 x 100/250 x 250 mm).



Max. output pressure	approx. 80 Pa
Output approx.	1000 m³/h
Fan capacity	270 W
Current drain	1.3 A
Base dimensions (hexagonal)	approx. 40 x 40 cm
Overall height	approx. 700 mm
Weight	approx. 12 kg

Unit of measure: mm

Hekon art. : KW-225ES