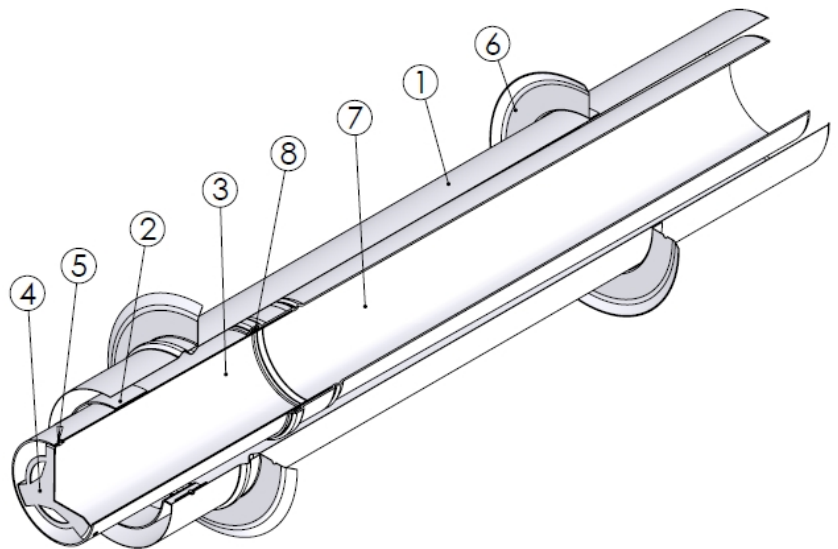
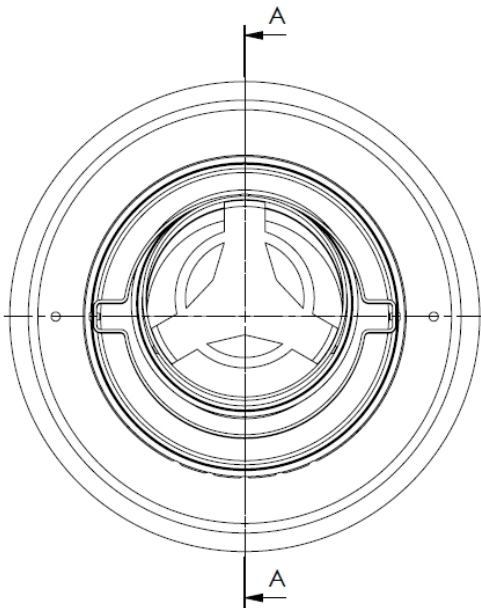


SECTION A-A

Unit of measure: mm



8	1	Seal ø100	EPDM
7	1	Pipe ø100 L635	CoxPP
6	2	Wall plate 150K	DX52D
5	5	Rivet	EN-AW-1050A
4	1	Therminal end	RVS 316L
3	1	Flue pipe ø100	EN-AW-6060
2	1	Extrusion profile	EN-AW-1050A
1	1	Air pipe ø150	DX52D+Z275-NA
Pos.	QTY.	Description	Material

Hekon art. : RO100/150MDP