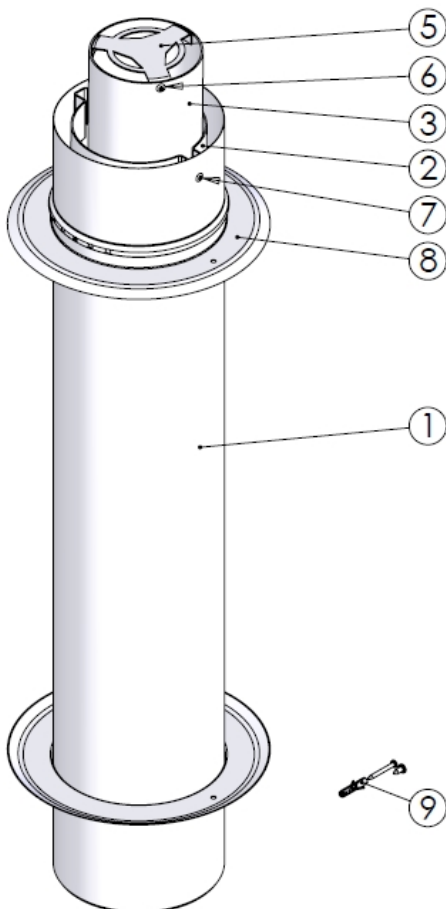


Unit of measure: mm



9	1	Assembly kit	-
8	2	Wall plate 150K	DX52D
7	2	Rivet $\varnothing 4 \times 9.5$	Al
6	3	Rivet $\varnothing 3.2 \times 7.9$	Al
5	1	Therminal end	AISI 316L
4.2	1	Seal $\varnothing 110$	EPDM Flue gas
4.1	1	Flue pipe $\varnothing 110$ L640	PPs
4	1	Flue pipe $\varnothing 110$ L640	-
3	1	Flue pipe 110-100	EN-AW-6060
2	1	Extrusion profile	EN-AW-1050A
1	1	Air pipe $\varnothing 150$	DX52D
Pos.	QTY.	Description	Material

Hekon art. : RO110/150MDP