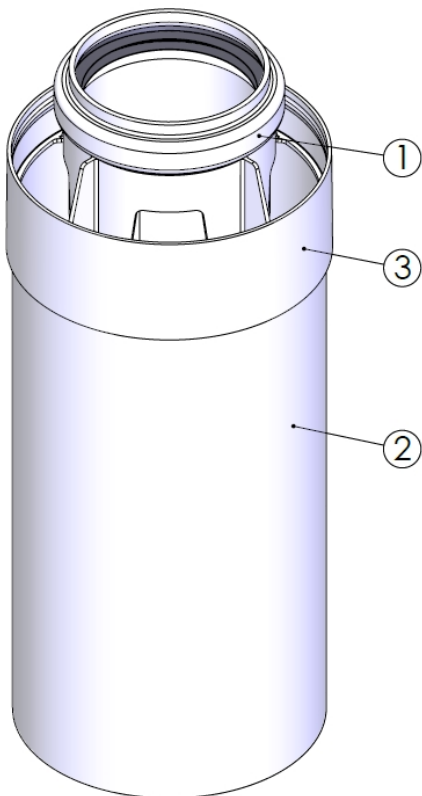
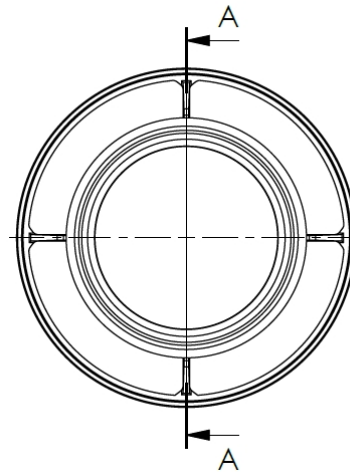


SECTION A-A



Type	L1
ø60-100 L250	250
ø60-100 L500	500

Unit of measure: mm



3	1	Coupling ø60-100 conneX3t	PP 20%Glass fiber
2	1	Airpipe ø100	PVC
1	1	Flue Pipe ø60 Extrusion	-
Pos.	QTY.	Description	Material

Hekon art. : X3060/1000250